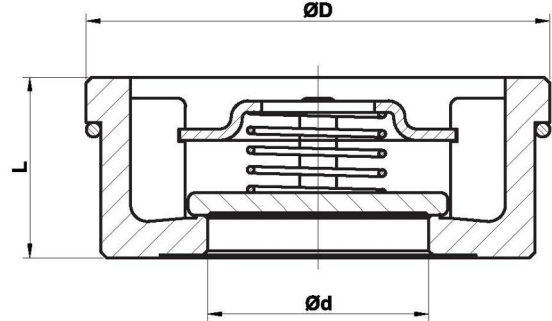
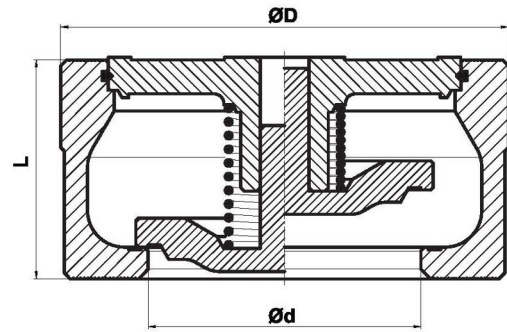


Disk Tip Çek Valf / Disco Check Valve



DN15 - DN100



DN125-DN250

NO	PARÇA ADI	PART NAME	MALZEME / MATERIAL	
			DN 15 - 100	DN 125 - 200
1	GÖVDE	BODY	MS58	GGG50
2	DİSK	DISK	AISI 304	GGG50
3	YAY	SPRING	CrNi	CrNi
4	SEGMAN	SEGMENT	AISI 304	-
5	ÇEMBER	HOOP	AISI 304	-

DN	ØD	Ød	L	KG
15	40	15	16	0,09
20	47	20	18,7	0,14
25	56	25	21,5	0,20
32	76	31	28	0,47
40	82	39	32	0,62
50	95	48	40	1,00
65	115	63	46	1,52
80	132	75	50	2,10
100	152	89	60	3,15
125	184	112	90	8,00
150	209	132	106	10,18
200	264	175	140	21,34
250	328	225	200	40,20

UYGULAMA ALANLARI / APPLICATIONS

SU, SICAK SU, BUHAR, BASINÇLI HAVA
WATER, HOT WATER, STEAM, COMPRESSED AIR

BAĞLANTILAR / END SOY TEKNİK ÖZEL / SPECIAL
ÇALIŞMA SICAKLIĞI / WORKING TEMP.: -60°C / 250°C
ÇALIŞMA BASINCI / WORKING PRESSURE : PN16